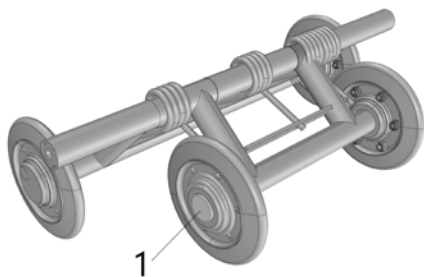


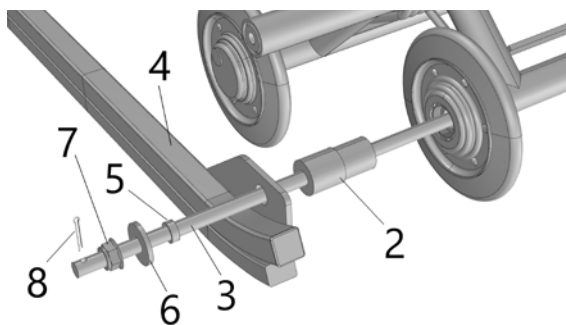
SLIDERS INSTALLATION MANUAL FOR SNOWDOG (2021-2023)



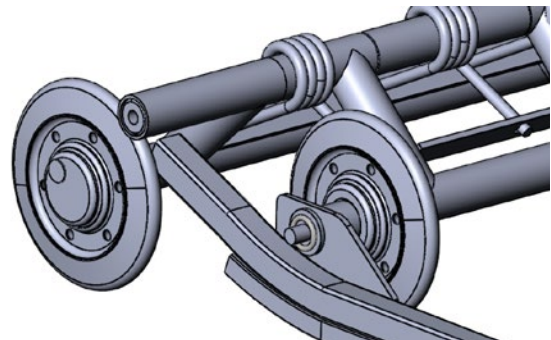
- 1 Loosen the track tension.
- 2 Lift the machine up, so track is off the ground.
- 3 Unscrew and remove the center bogey (if installed).
- 4 Make sure the bogeys are installed with wide-spaced wheels placed forward (in the direction of travel). If the bogeys are installed differently, remove them, and install properly.
- 5 Remove the caps/plugs (Ref # 1) from the bogey wheels.



- 6 Install the bushing sleeves (Ref# 2) into the bogeys.



- 7 Install the shaft (Ref# 3) through the suspension bogeys.
- 8 Install the slide rail (Ref# 4) on the shaft with the long side forward.



- 9 Install the sleeves (Ref# 5) on the shaft (can be pressed into the bushings/sleeves (Ref# 2)).
- 10 Install the washers (Ref# 6) on the shaft.
- 11 Install and tighten the nuts (Ref# 7).
- 12 Install the cotter pins (Ref# 8).
- 13 Lower the machine down.
- 14 Tighten the track.